



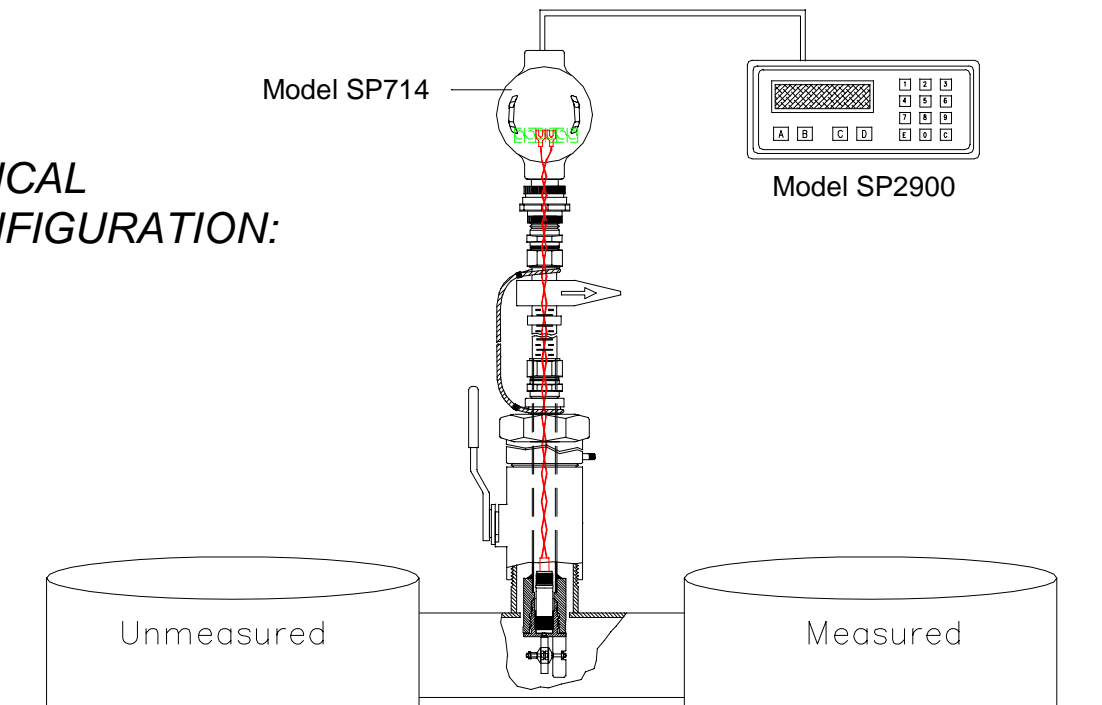
## Application of the Month

### “Waste Product Measurement”

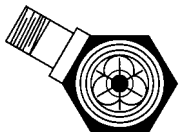
Insertion Style flowmeter solves measurement issue in large pipeline!

Sponsler Company is providing Insertion Series PRECISION TURBINE FLOWMETERS and electronic instrumentation for Keymark Corp. of Florida, manufacturer of metal extrusions, for their waste product measurement. The unique design of the insertion meter allows for easy insertion and extraction into a large pipeline.

#### *TYPICAL CONFIGURATION:*



**How it works:** Solvents remaining from the paint mixture are dumped into a large waste tank. This waste is then metered through the Insertion meter into a holding tank to be loaded on a truck for treating and recycling.



**SPONSLER CO., INC.**

Flow Measuring Devices and Controls  
2363 Sandifer Blvd., Westminster SC 29693  
TOLL FREE 800-258-1165

[www.sponsler.com](http://www.sponsler.com)